



RFWORLD

2.4GHz Audio&Video Receiver

WM24VR_S



Shenzhen,China: RF WORLD (RPing Group)

Tel:86 755 82469767 82469790

Fax:86 755 82469915

Email: sales@mcurf.com www.mcurf.com

1 APPLICATION.....	3
2 WORK AND STORAGE CONDITION	3
3 TEST CONDITION	3
4 ELECTRONIC PARAMETERS	3
DC CHARACTERISTIC.....	3
VIDEO CHARACTERISTIC.....	3
AUDIO CHARACTERISTIC	4
RF CHARACTERISTIC	4
5 PIN DEFINITION.....	4
6 APPLICATION CIRCUIT.....	5
7 MODULE SIZE.....	9



1 Application

1.1 It suit for audio and video's wireless Receiver:

- AV Sender
- Baby monitor
- Surveillance
- Wireless Camera

1.2 Four channel can be chose:

- 1 CH: 2414MHz
- 2 CH: 2432MHz
- 3 CH: 2450MHz
- 4 CH: 2468MHz

1.3 modulation/demodulation: FM

2 Work and Storage Condition

3.1 Work Temperature Range -10°C ~ +60°C

3.2 Storage Temperature Range -40°C ~ +80°C

3 Test Condition

3.1 Environment Temperature 25

3.2 Video Level : 1.0Vp-p,150 (IRE)

3.3 Audio Level: 1.0Vp-p Sine Wave Signal 1KHz@10K Ohm

4 Electronic Parameters

NO.	Name	Spec			Unit	Test condition
		Min.	Typ.	Max.		
DC Characteristic						
1	Work Voltage		5V		V _{DC}	
2	Power Consumption			150	mA	
Video Characteristic						
1	Output Impedance		75		Ω	
2	Output Signal Level		1V _{p-p}			
3	Output Signal Polarity		Negative			
4	Frequency Response				±5 dB	50Hz ~ 6MHz
5	Differential Gain				±5 %	



6	Differential Phase				± 5 Deg.,	
7	3dB IF Bandwidth		16.5MHz			
8	S/N Ratio	38dB,				
Audio Characteristic						
1	Output Impedance		600,			
2	Output Signal Level		3		V_{P-P} ,	
3	Output Frequency Range		100 ~ 20k		Hz	
4	Subcarrier Frequency		6.0MHz(AR), 6.5MHz(AL)			
5	Subcarrier Frequency Accuracy		± 50		kHz	
6	SNR(50Hz ~ 15kHz)	50dB				
7	(THD) (50Hz ~ 15kHz, 3 V_{P-P} Sine Wave)			1.5 %,		
RF Characteristic						
1	RF Frequency					2400 ~ 2483MHz
2	standing wave ratio		2:1			
3	frequency stability		± 100 kHz			
4	receiving sensitivity		-85dBm			
5	RF Port Impedance		50		Ohm	

5 Pin Definition

No	Name	Description
1	Audio L	
2	Reserve	
3	VCC(+5V)	
4	Channel up Switch	
5	LED1	
6	LED2	
7	AutoSW	
8	LED3	
9	LED4	
10	Video	

6 Application Circuit

No	Work Mode	
1	Locking Press-Button	
2	Switch Button	
3	Key Press (4 LED)	
4	Key Press (1 LED)	

1. Switch Mode --Locking Press-Button

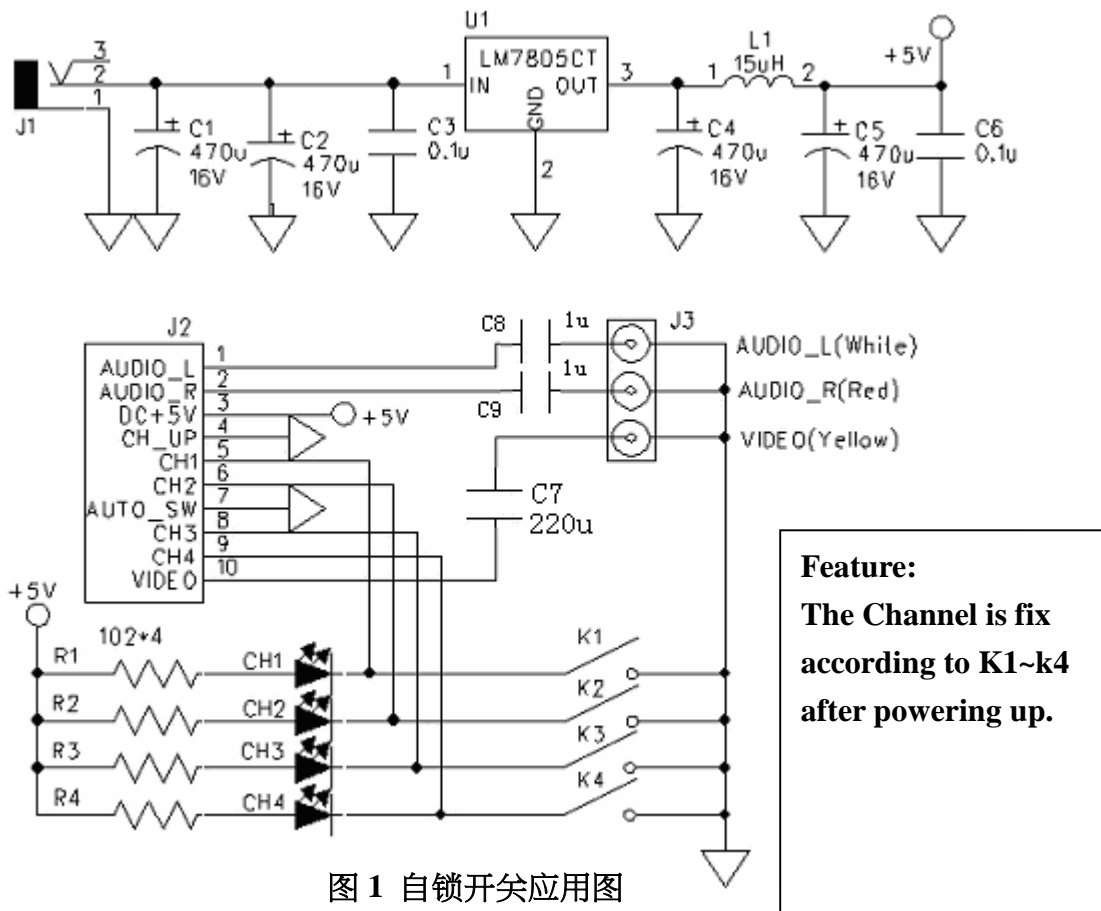
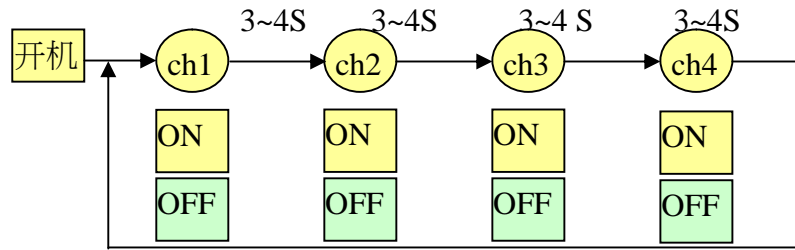


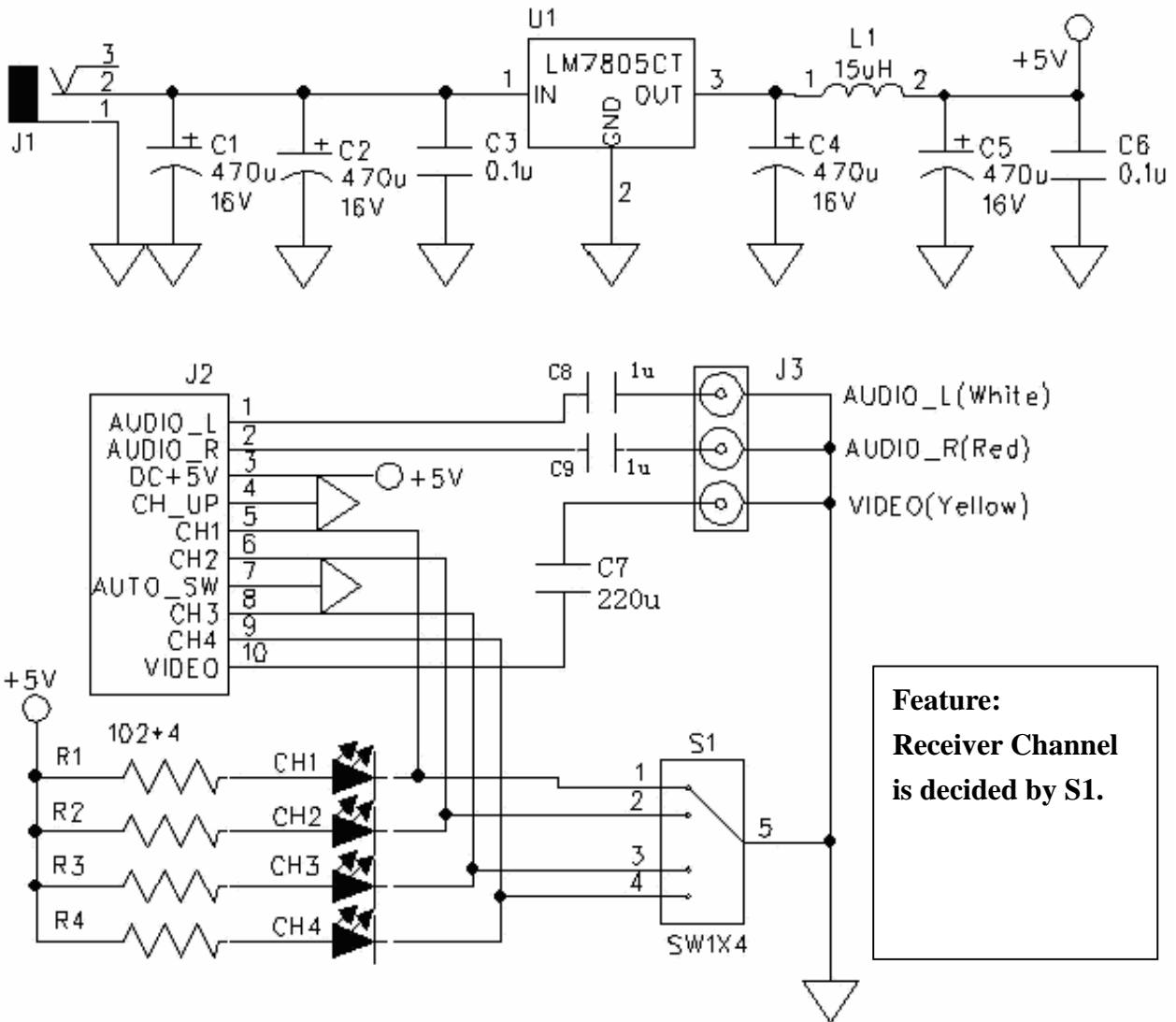
图 1 自锁开关应用图

Single Channel Mode : Only selected Channel is on, the other is Off

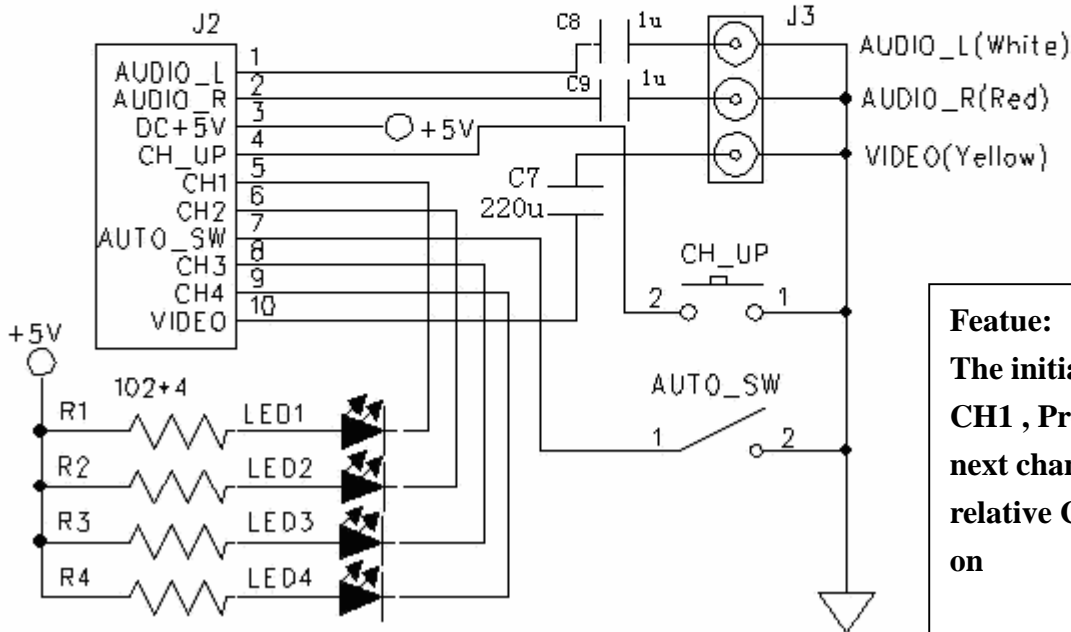
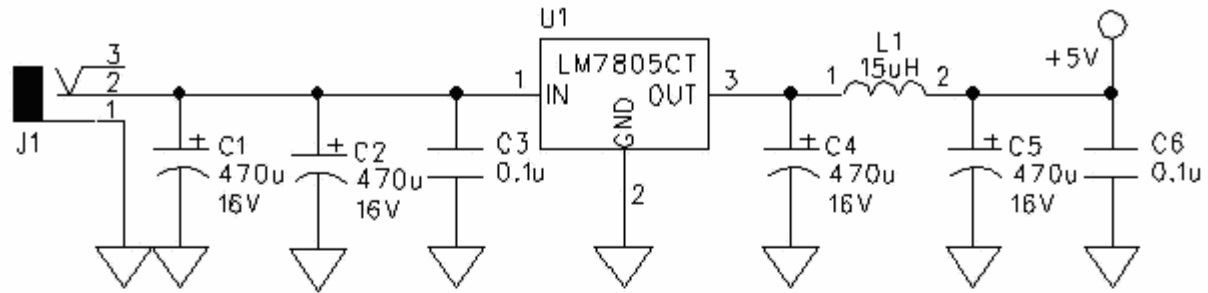
Selected Channels Cycle: 2-4 selected Cycle channels are on, the other is off. You can see below diagram for it. The Cycle time is around 3-4 seconds.



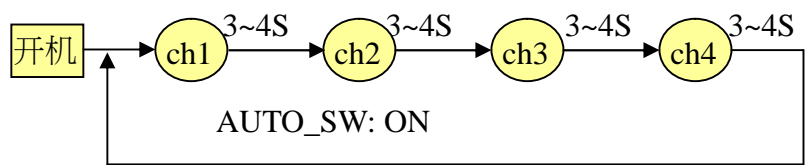
2. Switch Mode2----Switch Button



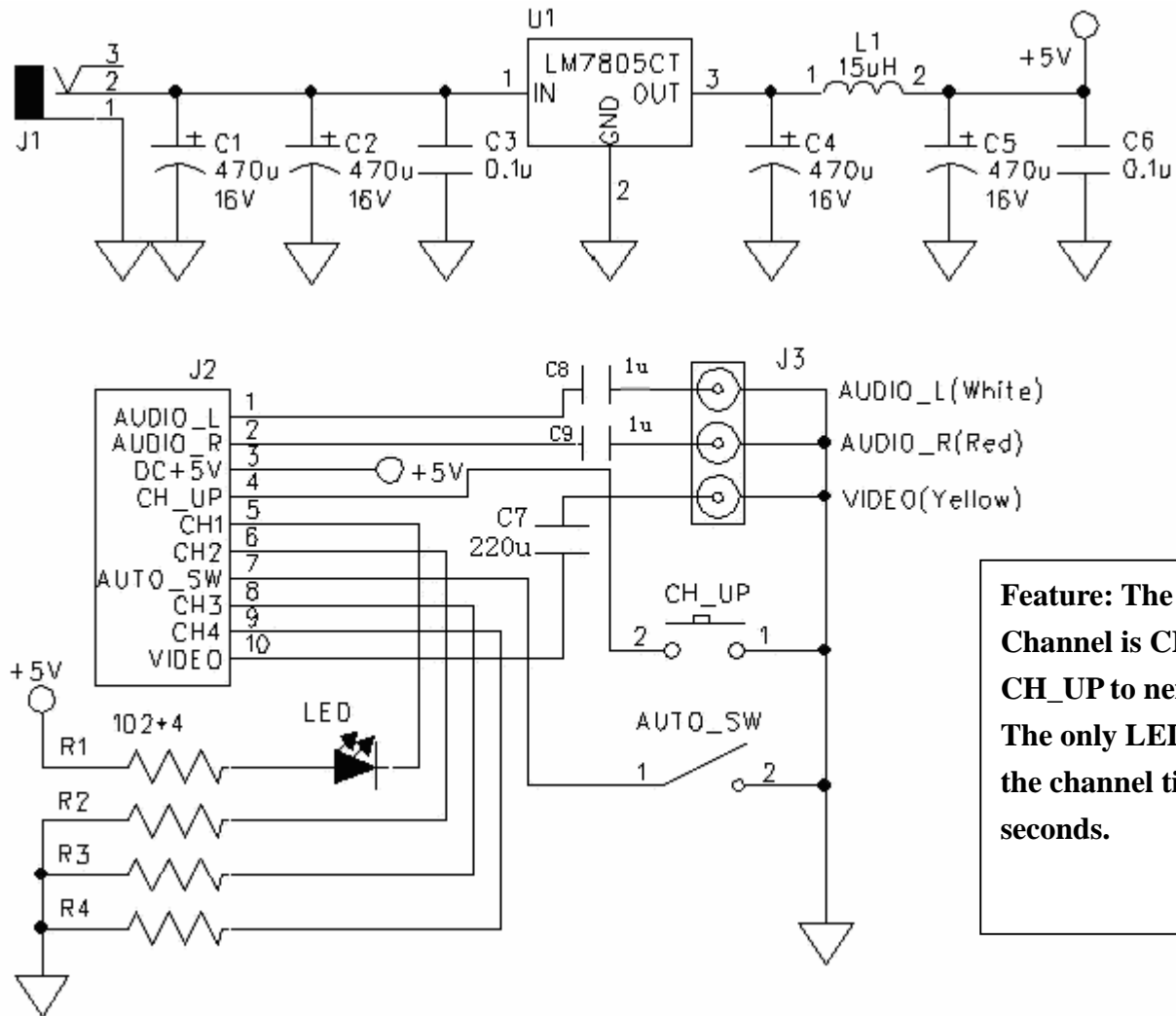
3. Key Press Mode1---4 LED



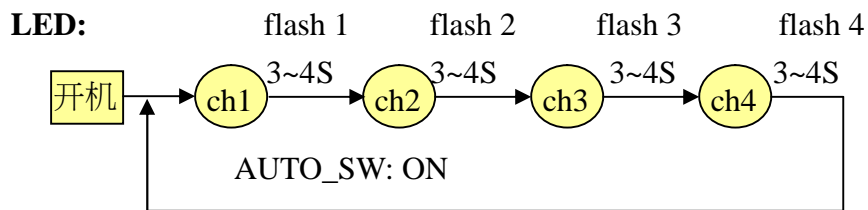
Feature:
The initial Channel is CH1 , Press CH_UP to next channel. The relative Channel LED is on



4. Key Press Mode 2----1 LED(FLASH)



Feature: The initial Channel is CH1 , Press CH_UP to next channel. The only LED will flash the channel times per 3-4 seconds.





7 Module Size

